

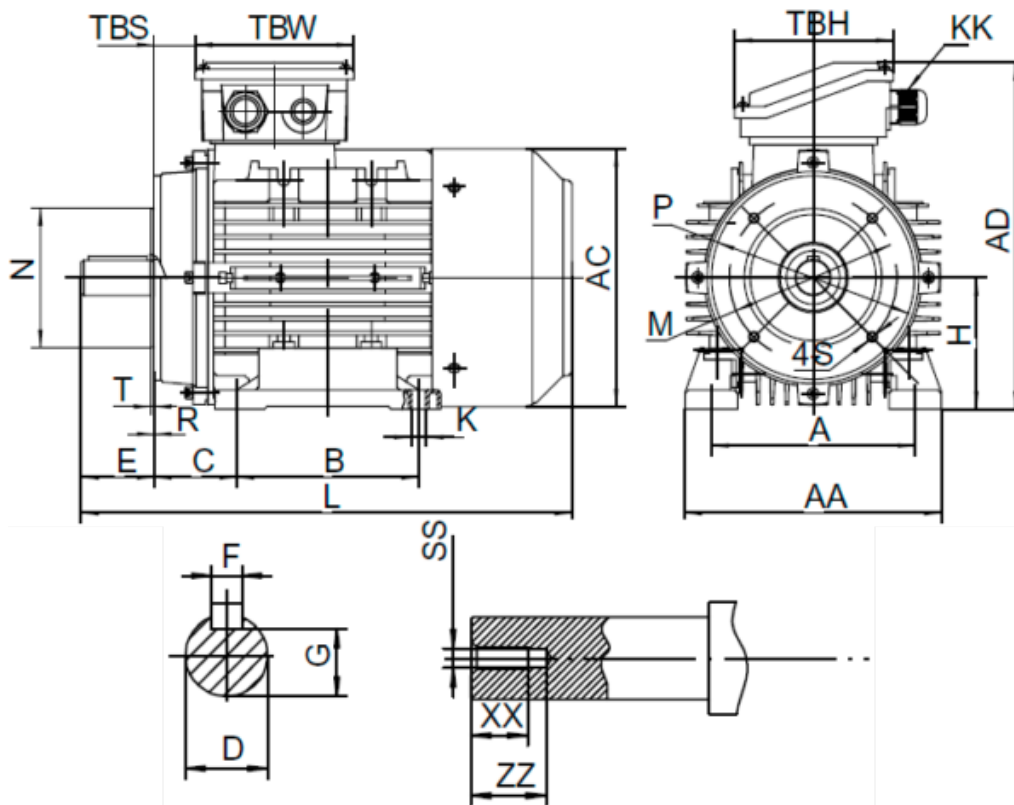
Data Sheet



Article number: 2518001502160140

Description: Kleedrive T3A 803-2 1.5kw 2800 rpm UL/CSA
3x230/400V 50 HZ IP55 B34 Eff=82,7%

Measures



A = 125	F = 6	R = 0	ZZ = 21
AA = 160	G = 15.5	S = M6	
AC = Ø157	H = 80	SS = M6	
AD = 214	HD = 134	T = 3	
B = 100	L = 277	TBH = 109	
C = 50	M = Ø100	TBS = 26.5	
D = Ø19	N = Ø80	TBW = 109	
E = 40	P = Ø120	XX = 16	